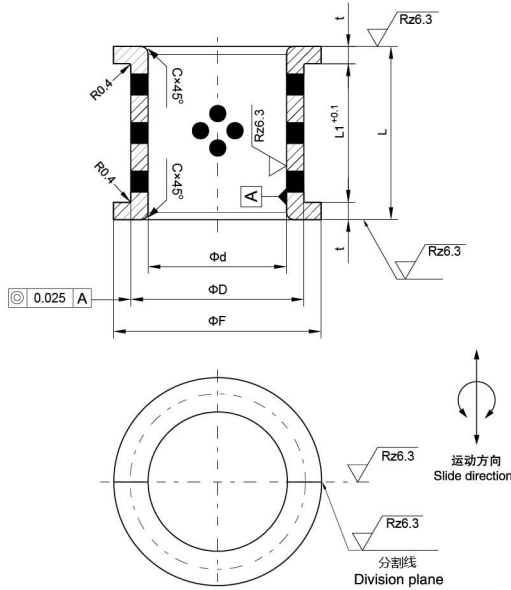


JFFB 自润导套
JFFB Guide Bearing

Material	650 #+Graphite
材质	高力黄铜+石墨



单位unit:mm

产品代号 Standard No.	内径 H7 I.D. Φd	外径 O.D. ΦD	ΦF d_{11}	L h_{12}	$L_1^{+0.1}$ 0	t	C
JFFB-030	30	38	48	34	22	6	1
JFFB-035	35	45	55	45	32	6.5	
JFFB-040	40	50	60	50	35	7.5	
JFFB-045	45	55	65	55	40	7.5	
JFFB-050	50	60	70	60	45	7.5	
JFFB-060	60	70	80	70	50	10	
JFFB-070	70	85	95	80	60	10	
JFFB-080	80	95	110	95	70	12.5	
JFFB-090	90	105	120	105	80	12.5	2
JFFB-100	100	115	130	115	90	12.5	
JFFB-110	110	125	140	125	100	12.5	
JFFB-120	120	135	150	140	110	15	
JFFB-140	140	160	175	160	120	20	
JFFB-160	160	180	200	180	140	20	